



**Polaris Medical Inc.**  
www.polarismedicalinc.com



## MAGIC-LINE LIFTING BATHTUBS



**Distributed by:**  
**Polaris Medical Group**

**T 905.467.5152**  
**F 905.333.0407**  
**TF 877-377-9988**

**info@polarismedicalinc.com**  
**www.polarismedicalinc.com**

**MAGIC - INNOVATIVE PERFECTION**

GK quality always possesses many facets. And thus enables a perfect symbiosis between user-friendliness for nursing staff and well-being for those requiring care to be created with the innovative MAGIC-Line.

While taking account of up-to-date technical safety and hygiene-specific findings, all MAGIC elevating baths fulfil highest demands on function, ergonomics and comfort of use.

High-quality materials and careful production in conjunction with know-how based on many years of experience result in durability, robustness and stability of value.

MAGIC is available in three versions (1000, 2000, 3000) whereby each model may be ideally adapted to the needs of its users through many optional features.

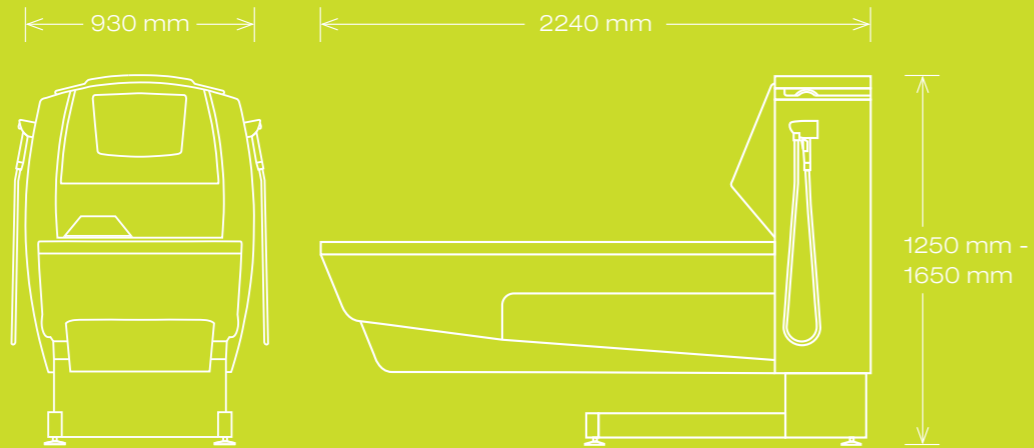




## DETAILS.

- |   |   |
|---|---|
| <b>1</b> Locking desk lid   | <b>9</b> Electric drainage and overflow set   |
| <b>2</b> Automatically stopping shower (no pressure when not in use)                          | <b>10</b> Rubber bathtub protection   |
| <b>3</b> Service-friendly inspection hatch  | <b>11</b> Patented five-nozzle hydro massage system with individually replaceable nozzles |
| <b>4</b> Integrated armrest with grip   | <b>12</b> Inlet nozzles that may be removed for cleaning                                  |
| <b>5</b> Height-adjustable feet   | <b>13</b> Up/down function with integrated emergency lowering                             |
| <b>6</b> Ergonomic form of the bathtub  | <b>14</b> Three pre-programmed filling levels   |
| <b>7</b> User-friendly control panel with digital display for bathtub and filling temperature | <b>15</b> Integrated disinfectant system with programmable application time               |
| <b>8</b> Taps with integrated bathing oil and shampoo dispenser and automatic dispenser rinse | <b>16</b> Grooves for inserting bathtub-length reducers                                   |






General	Magic 1000	Magic 2000	Magic 3000
Magnet card	x	x	x
Up/Down function	x	x	x
Emergency lowering	x	x	x
Touch panel	x	x	x
<b>Protection and safety</b>			
Digital adjustable fill temperature	-	-	x
Digital adjustable shower temperature	-	-	x
Manual thermostat valve for fill and shower temperature	x	x	-
Pre fill with three selectable levels	-	x	x
Automatic fill stop	x	x	x
Refillable after automatic fill stop	x	x	x
Pressure release for shower and disinfection hose	-	x	x
Automatic activation for shower and disinfection when removed	-	-	x
Digital display for fill temperature	x	x	x
Digital display for shower temperature	x	x	x
Digital display for tub temperature	-	x	x
Automatic drain system	-	-	x
Automatic fill stop when drain is open	-	-	x
<b>Care</b>			
Complete bath additive and shampoo dispensing system	o	o	o
Automatic rinsing for dispensing system	-	o	o
<b>Disinfection</b>			
Disinfection system	o	o	o
Disinfection system with programmable contact time	-	o	o
Disinfection disabled when tub is full	-	o	o
Automatic rinsing for hydromassage system after disinfection	-	o	o
<b>Therapy</b>			
Ultrasound system	o	o	o
Underwater light	o	o	o
5 jet hydromassage system	-	o	o
2 jet hydromassage system	o	o	-
Hydromassage system with adjustable intensity	-	o	o
Hydromassage system with single controlled jets	-	-	o

x = Included, o = Optional, - = Not available

GK lifting bathtubs  
**MAGIC-LINE**



MAGIC 1000



MAGIC 2000



MAGIC 3000